

Digital Video Servers

Quick Guide


Manual Version: V1.00

Thank you for purchasing our product. If there are any questions, or requests, please do not hesitate to contact the dealer.

Copyright

Copyright 2015 Zhejiang Uniview Technologies Co., Ltd. All rights reserved. No part of this manual may be copied, reproduced, translated, or distributed in any form or by any means without prior consent in writing from our company.

Trademark Acknowledgement

 and other Uniview's trademarks and logos are the property of Zhejiang Uniview Technologies Co., Ltd. Other trademarks, company names and product names contained in this manual are the property of their respective owners.

Disclaimer



CAUTION!

The default password is used for your first login. To ensure account security, please change the password after your first login. You are recommended to set a strong password (no less than eight characters).

- To the maximum extent permitted by applicable law, the product described, with its hardware, software, firmware and documents, is provided on an "as is" basis.
- Best effort has been made to verify the integrity and correctness of the contents in this manual, but no statement, information, or recommendation in this manual shall constitute formal guarantee of any kind, expressed or implied. We shall not be held responsible for any technical or typographical errors in this manual. The

contents of this manual are subject to change without prior notice. Update will be added to the new version of this manual.

- Use of this manual and the product and the subsequent result shall be entirely on the user's own responsibility. In no event shall we be reliable to you for any special, consequential, incidental, or indirect damages, including, among others, damages for loss of business profits, business interruption, or loss of data or documentation, or product malfunction or information leakage caused by cyber attack, hacking or virus in connection with the use of this product.
- Video and audio surveillance can be regulated by laws that vary from country to country. Check the law in your local region before using this product for surveillance purposes. We shall not be held responsible for any consequences resulting from illegal operations of the device.
- The illustrations in this manual are for reference only and may vary depending on the version or model. The screenshots in this manual may have been customized to meet specific requirements and user preferences. As a result, some of the examples and functions featured may differ from those displayed on your monitor.
- This manual is a guide for multiple product models and so it is not intended for any specific product.
- Due to uncertainties such as physical environment, discrepancy may exist between the actual values and reference values provided in this manual. The ultimate right to interpretation resides in our company.




Environmental Protection

This product has been designed to comply with the requirements on environmental protection. For the proper storage, use and disposal of this product, national laws and regulations must be observed.




Safety and Compliance Information

Safety Symbols

The symbols in the following table may be found on installation-related equipment. Be aware of the situations indicated and take necessary safety precautions during equipment installation and maintenance.

Symbol	Description
	Generic alarm symbol: To suggest a general safety concern.
	ESD protection symbol: To suggest electrostatic-sensitive equipment.
	Electric shock symbol: To suggest a danger of high voltage.

The symbols in the following table may be found in this manual. Carefully follow the instructions indicated by the symbols to avoid hazardous situations and use the product properly.

Symbol	Description
 WARNING!	Indicates a hazardous situation which, if not avoided, could result in bodily injury or death.
 CAUTION!	Indicates a situation which, if not avoided, could result in damage, data loss or malfunction to product.
 NOTE!	Indicates useful or supplemental information about the use of product.

Safety Information

Installation and removal of the unit and its accessories must be carried out by qualified personnel. Please read all of the safety instructions below before installation and operation.

- This device is a class A product and may cause radio interference. Take measures if necessary.
- While shipping, the device should be packed in its original packing.
- Verify that installation is correct. Incorrect cable connection may cause personal injury or device damage.
- The installation must be made by qualified personnel and should conform to all the local codes.
- If the product does not work properly, please contact your dealer. Never attempt to disassemble the device yourself. We shall not assume any responsibility for problems caused by unauthorized repair or maintenance.
- Ensure a proper operating environment, including temperature, humidity, ventilation and power supply. Make sure the device is properly grounded and the lightning protection meets requirements. Keep the device from moisture, dust, strong electromagnetic radiation and vibration.
- Power down the device before connecting and disconnecting accessories and peripherals.
- Protect the power cable from being stepped on or pressed, particularly at the plug, receptacle, and the part leading out of the device.
- Strictly follow the procedure to shut down the device. Sudden power failures can cause disk damage and functional abnormalities. In an environment where power supply is frequently interrupted, use an Uninterrupted Power Supply (UPS).
- Improper use or replacement of the battery may result in hazard of explosion. Use the manufacturer recommended battery.
- Take necessary measures to ensure data security and protect the device from network attack and hacking (when connected to Internet). Possible risks and consequences are at user's sole discretion.



WARNING!



- Never look at the transmit laser while the power is on. Never look directly at the fiber ports and the fiber cable ends when they are powered on.
 - Use of controls or adjustments to the performance or procedures other than those specified herein may result in hazardous laser emissions.
-

Regulatory Compliance

FCC Part 15

This equipment has been tested and found to comply with the limits for digital device, pursuant to part 15 of the FCC Rules. These limits are designed to provide reasonable protection against harmful interference when the equipment is operated in a commercial environment. This equipment generates, uses, and can radiate radio frequency energy and, if not installed and used in accordance with the instruction manual, may cause harmful interference to radio communications. Operation of this equipment in a residential area is likely to cause harmful interference in which case the user will be required to correct the interference at his own expense.

This product complies with Part 15 of the FCC Rules. Operation is subject to the following two conditions:

1. This device may not cause harmful interference.
2. This device must accept any interference received, including interference that may cause undesired operation.

LVD/EMC Directive



This product complies with the European Low Voltage Directive 2006/95/EC and EMC Directive 2004/108/EC.

WEEE Directive–2002/96/EC



The product this manual refers to is covered by the Waste Electrical & Electronic Equipment (WEEE) Directive and must be disposed of in a responsible manner.

Contents

1 Introduction	1
Front Panel	1
Back Panel	3
2 Mount.....	4
Preparation	4
Mounting a 4-channel DVS	5
Mount in a Protective Box	5
Mount in a Cabinet	6
Cable Connection.....	7
Mounting a 16-channel DVS	10
Mount in a Protective Box	10
Mount on a Workbench	12
Cable Connection.....	12
AC Power Cable Connection	16
Mount Verification	17
Starting the Device.....	17
3 Login to the Web Interface.....	17

1 Introduction

The Digital Video Server (DVS) is a new generation network video surveillance media terminal integrated with functions to encode, compress and transmit audio and video data. The DVS can capture images and sounds from a remote site and finds application in city surveillance, transportation, banking and finance, power industry and healthcare. Please refer to the datasheet for detailed specifications.

This manual mainly describes the device hardware and the installation procedure. It also describes how to access the Web interface of the device.

Front Panel

Figure 1-1 4-channel DVS

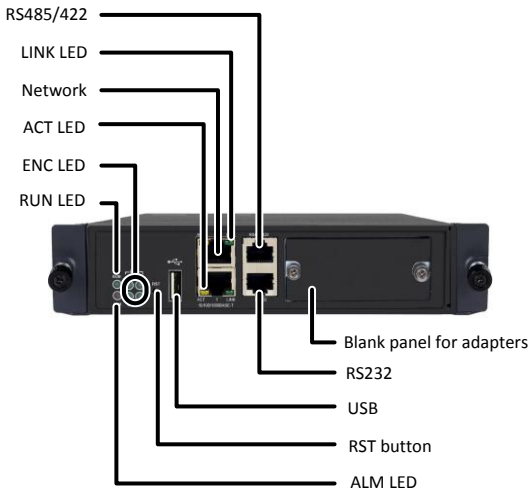


Figure 1-2 16-channel DVS

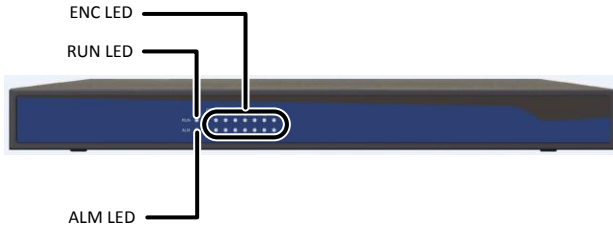


Table 1-1 LED Status Description

LED	Status	Indication
RUN (operation)	Blinks green	The device is starting up.
	Steady green	The device is operating.
	Off	The device is shut down.
ALM (alarm)	Steady red	A device alarm, for example, temperature alarm, has been raised.
	Off	No device alarm has been raised.
ENC (encoding)	Steady green	The device is receiving signals but is not encoding.
	Blinks green	The device is receiving and encoding signals.
	Off	No signal input.
ACT (data transmission)	Blinks yellow	Data is being transmitted.
	Off	No data transmission.
LINK (network connection)	Steady green	The device is connected to network.
	Off	The device is disconnected from network.

Back Panel

Figure 1-3 4-channel DVS

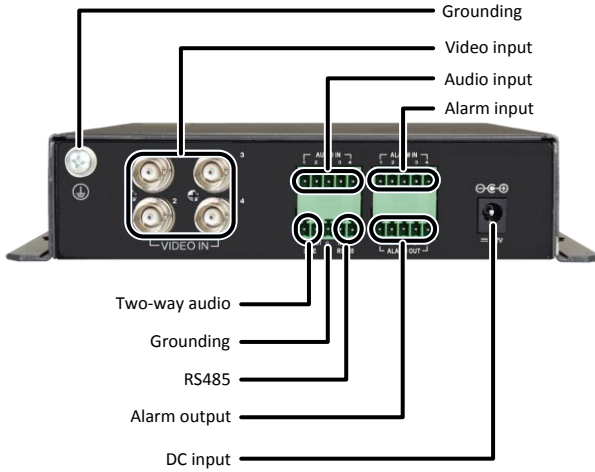
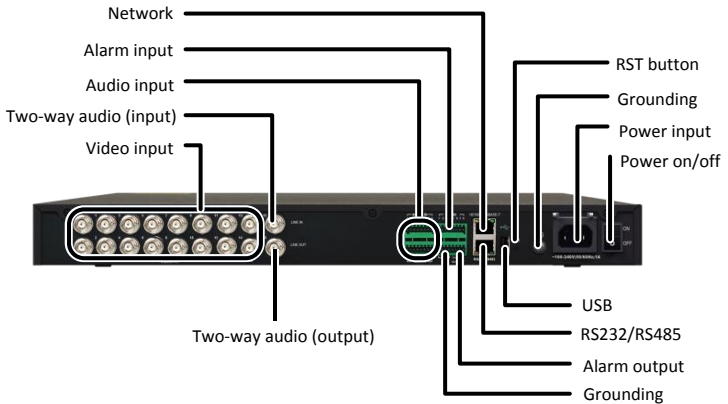


Figure 1-4 16-channel DVS



2 Mount

Preparation

Check the package

Check against the packing list to verify that the device model is correct and all items are included.



WARNING!

Do not remove the seal on the device by yourself. Contact your dealer if you need assistance. The manufacturer and dealer do not assume responsibility if the device has been subject to faulty or improper installation, maintenance or repair by user.

Check the installation site

For outdoor installations, the device must be secured in a protective box and properly grounded. The following requirements must be met for both outdoor and indoor installations:

- The power, audio/video and RS485 interfaces should be protected by appropriate lightning protection devices.
- The device is correctly grounded. Please refer to the *DVS_DC Cable Connection Guide* for details.

Route cables

The power cable should be routed separately from other cables such as the network cable, video and audio cables. Use cable fasteners for cables that are too long. Tag the cables for easy identification.

If the device is installed in a standard 19-inch cabinet, cables should be routed appropriately on top or at the bottom, depending on the way signal cables are routed in the server room.

**CAUTION!**

- Make sure the device is disconnected from power before starting cable connection.
 - Choose cables that meet specifications. For detailed information, please refer to the *DVS_DC Cable Connection Guide*.
 - Fix cables at an appropriate position close to the device but away from the air vents. Allow appropriate strain relief.
-

Mounting a 4-channel DVS

Mount in a Protective Box

**NOTE!**

The protective box should meet specified requirements. Please refer to the *DVS_DC Cable Connection Guide* for details.

Horizontal mount

Place the device horizontally if the protective box is placed on the ground.

Wall mount

Place the device vertically in the wall-mount protective box. The air vents on two sides should be facing upward and downward.

Use screws to secure the device in the protective box. Allow at least 10cm of space above and below the device inside the protective box for ventilation.

Mount in a Cabinet



NOTE!

- Use a 19-inch cabinet firm enough to hold the device. This section takes a standard 19-inch cabinet as an example.
 - Before you start, make sure the cabinet is stabilized and grounded properly, and no object is left inside the cabinet or placed nearby to hinder the mount.
-

Frame mount

1. Install the mounting ears as shown in the figure below.

Figure 2-1 Installing Mounting Ears



2. Mount the device to a frame in the cabinet. For detailed steps, please refer to the *Video Encoder/Decoder Frame Quick Guide*.

Holder mount

1. Install the mounting ears. See [Figure 2-1](#).
2. Mount the device to a holder in the cabinet. For the detailed steps, please refer to the *1U DVS/DC Holder Installation Guide*.

Mount without frame or holder

To mount without using a frame or holder, secure the device in the cabinet as appropriate and leave sufficient room on both sides for heat dissipation. Do not place any objects on the device.

Cable Connection



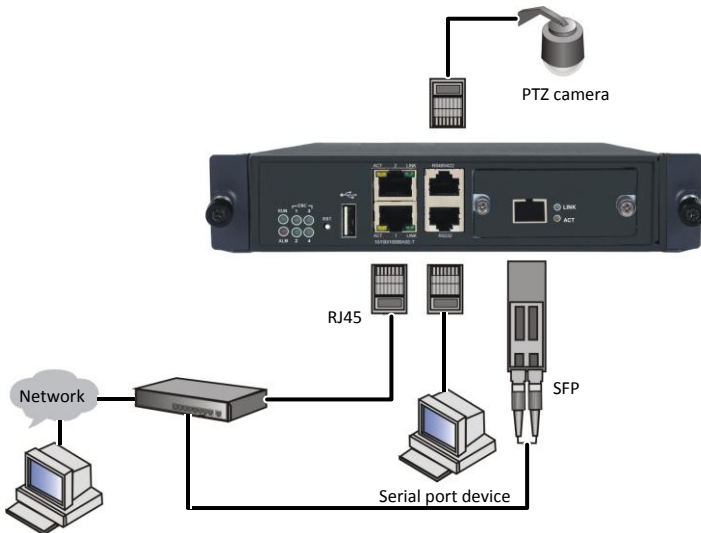
CAUTION!

- Disconnect the device from power before connecting cables.
- Use cables that meet specifications. Refer to the *DVS_DC Cable Connection Guide* for details.

Connect peripherals as needed. For connection instructions, refer to the documentation for the corresponding peripherals.

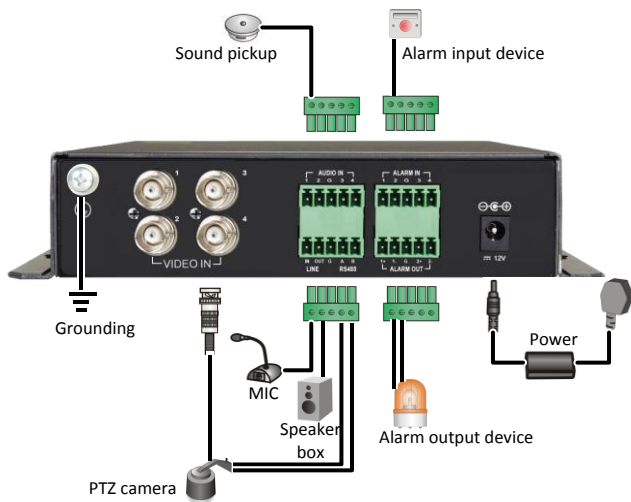
Front panel cable connection

Figure 2-2 Cable Connection on the Front Panel



Back panel cable connection

Figure 2-3 Cable Connection on the Back Panel



Audio and alarm connection

Figure 2-4 Audio Connection

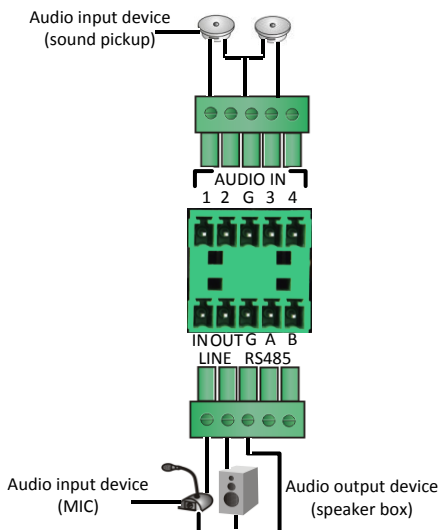


Table 2-1 Terminal Connectors

Terminal Connector	Description
AUDIO IN (1, 2, 3, 4)	Audio input (mono)
LINE (IN, OUT)	Audio input and output for two-way audio
RS485 (A, B)	Connect to the RS485+ and RS485- terminals on a peripheral
G	Grounding

Figure 2-5 Alarm Connection

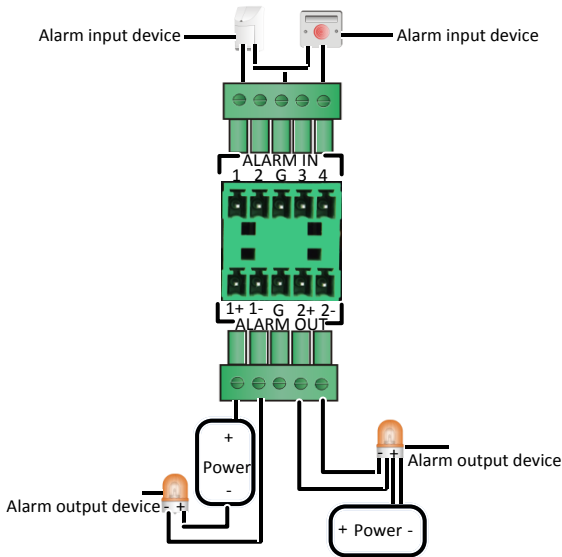


Table 2-2 Terminal Connectors

Terminal Connector	Description
ALARM IN (1, 2, 3, 4)	Allows four alarm inputs
ALARM OUT (1+, 1-), (2+, 2-)	Allows two alarm outputs
G	Grounding

**NOTE!**

The operating voltage and current for alarm output devices should not exceed 12 VDC and 0.7 A.

Mounting a 16-channel DVS

Mount in a Protective Box

**NOTE!**

Use a 19-inch cabinet firm enough to hold the device. This section takes a standard 19-inch cabinet as an example.

The device can be mounted without the use of any tray or slide rails. The mounting ears alone can bear the total weight.

Preparation

- Check that the cabinet is stabilized and grounded properly.
- Check that no object is left inside the cabinet or placed nearby to hinder the mount.
- Determine an appropriate mounting position inside the cabinet.

Install mounting ears

In the following figure the mounting ears are attached at the same side as the front panel. They can also be attached at the same side as the back panel.

1. Attach a mounting ear to the device and secure it with two M4*8 screws.
2. Install the other one in the same way.

Figure 2-6 Installing Mounting Ears



Mount the device in the cabinet

Attach the device to the cabinet rails and then secure the mounting ears to the cabinet rails using screws, as shown in the figure below.

Figure 2-7 Mounting in a 19-inch Cabinet



Verify the mount

Check against the following table to ensure the mount meets requirements.

Table 2-3 Cabinet Mount Checklist

No.	Item	Yes	No	Remarks
1	Mounting ears are secured to device			
2	Mount position is appropriate			

No.	Item	Yes	No	Remarks
3	Mounting ears are secured to cabinet rails			

Mount on a Workbench

Check the following when mounting the device on a workbench:

- Check that the workbench is firm enough to hold the device.
- Make sure the workbench is stabilized and grounded properly.
- Use the protection pads supplied with the device. Remove the stickers and then attach the pads to the bottom of the device.



CAUTION!

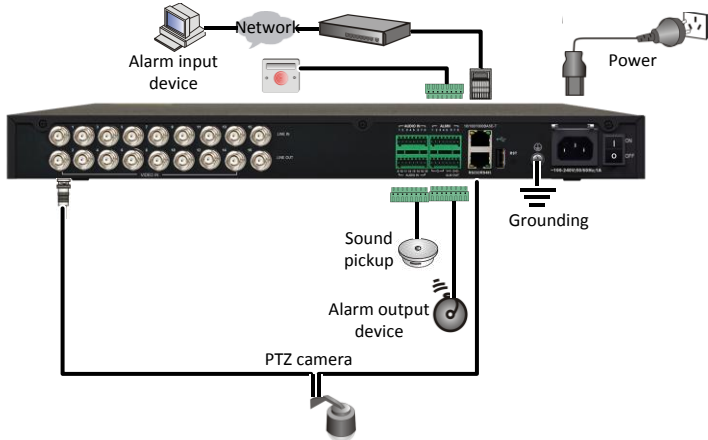
- Allow at least 10cm of space surrounding the device for heat dissipation.
 - Do not place anything heavy on the device.
-

Cable Connection

Connection on the back panel

See the illustration below and connect peripherals as needed. For more connection instructions, refer to the corresponding documentation for the peripherals.

Figure 2-8 Connection on the Back Panel



Audio and alarm connections

Figure 2-9 Audio Connection

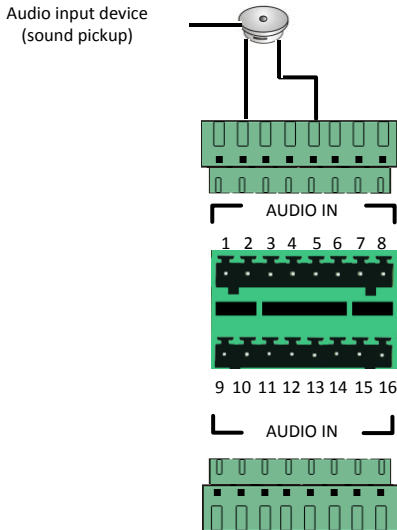


Table 2-4 Terminal Connectors

Terminal Connector	Description
AUDIO IN: 1–16	Allows 16 audio inputs

Connect alarm input and output device as needed. See [Figure 2-10](#) for details.

- ALARM IN connectors 1 to 8 can be connected to a maximum of eight alarm input devices. The following figure shows connection to two alarm input devices only. Connections to more alarm input devices are similar.
- ALARM OUT(1+, 1-) and ALARM OUT(2+, 2-) terminal connectors can be connected to two alarm output devices. The "+" and "-" signs mean a pair of terminals, not polarity.
- All the G terminal connectors provide the same function, so choose one as convenient. One G terminal connector can be shared by multiple alarm devices.

Figure 2-10 Alarm Connection

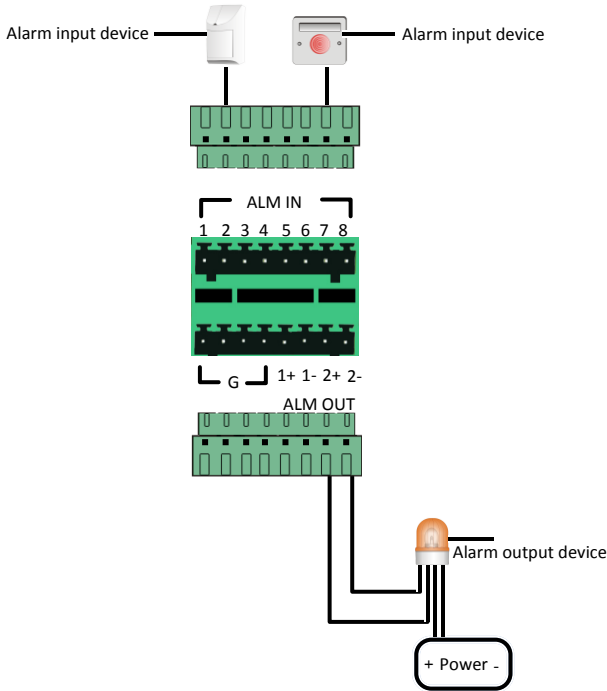


Table 2-5 Terminal Connectors

Terminal Connector	Description
ALARM IN: 1, 2, 3, 4, 5, 6, 7, 8	Allows eight alarm inputs
ALARM OUT: (1+, 1-), (2+, 2-)	Allows two alarm outputs
G	Grounding



CAUTION!

The operating voltage and current for alarm output devices should not exceed 12 VDC and 0.7 A.

AC Power Cable Connection

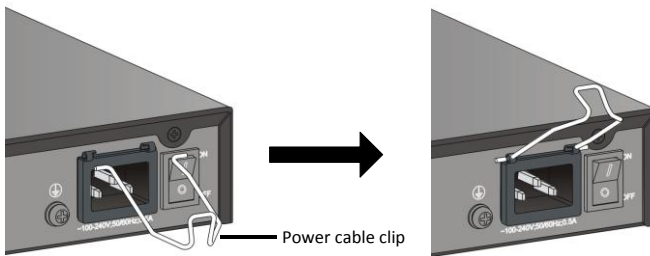


WARNING!

Make sure the device is disconnected from power before connecting the power cable.

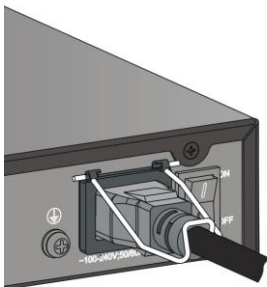
1. Attach the cable clip to the device as shown in the figure below.

Figure 2-11 Attach the Cable Clip



2. Connect the AC power cable, and then close the cable clip to secure the power cable, as shown in the figure below.

Figure 2-12 Connect the AC Power Cable and Close the Cable Clip



Mount Verification



WARNING!

Verify the mount after you finish. Improper mount may cause personal injury and device damage.

Before you start up the device, check that:

- The device is stabilized with all screws fastened.
- No object is placed on the device.
- The power meets specifications.
- All cables including the grounding wire are connected properly.

Starting the Device

Connect the device to power and start the device. Refer to [Table 1-1](#) to verify that the device is operating properly.

3 Login to the Web Interface

Log in to the Web interface to manage the device from a remote site.

Before login, check that:

- The device is operating properly and connected to the client PC through network.
- Microsoft Internet Explorer (IE) is installed on the client PC. The following IE versions are acceptable: 7.0, 8.0, 9.0, 10, and 11.
- Proxy server is not enabled in the IE.

**NOTE!**

- By default, the IP address is 192.168.0.13, subnet mask is 255.255.255.0, and gateway is 192.168.0.1.
 - Use **admin** as the default username and password for your first login. If you are using IE 11.0, make sure Document mode is not set to **Edge Mode** under **Tools > Developer Tools (F12) > Emulation**. Any other mode is acceptable.
-

Follow these steps to log in:

1. Launch the IE on your client PC and then enter the IP address of the device in the address bar.
 2. Enter the username and password and then click **Login**.
-

**NOTE!**

- After login, click the menus and tabs to display the corresponding configuration pages.
 - For detailed information about the initial configuration of your device and parameter descriptions, please refer to the online help.
 - The default password is intended only for your first login and should be changed immediately after login (**Device > Password**). A strong password containing at least eight characters is recommended.
-

To log out of the Web interface, click **Exit**. A message appears. Click **OK** to log out.

BOM: 3101COCE